

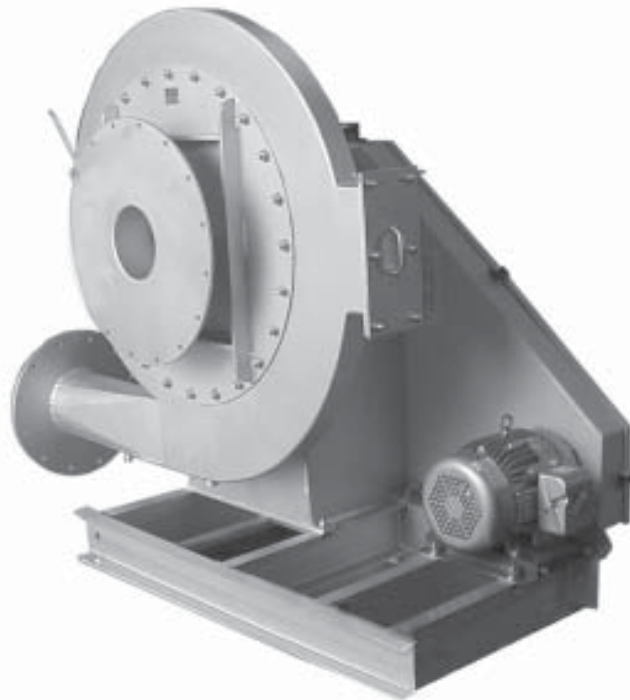
Industrial
Air Technology Corp.
Industrial Fans & Blowers

High Pressure Industrial Blowers Type TROL and TROH

**Arrangement 4
Sizes 20 - 36**

**Arrangements 1 & 8
Sizes 20 - 58**

Static Pressures to 140" Wg



Industrial
Air Technology Corp.

P.O. Box 2317, Gaylord, MI 49734
Phone: 989-705-1768 • Fax: 989-732-1641
www.indairtech.com

TROH & TROL High Pressure Industrial Blowers

Applications

- *Combustion*
- *Air Cooling*
- *Gas Boosting*
- *Aeration*
- *Process Systems*
- *Fume Exhaust*
- *Conveying*
- *Water Stripping*
- *Fluid Beds*
- *Glass Blowing*
- *Textile Fiber Stripping*
- *Product Drying*

Design Features

Radial Bladed Open Type Wheel
Very Stable Operation all the way to Shut Off
Suitable for High Temperature Applications
Extremely Rugged High Pressure Construction
Round Flanged Inlet and Outlet Connections

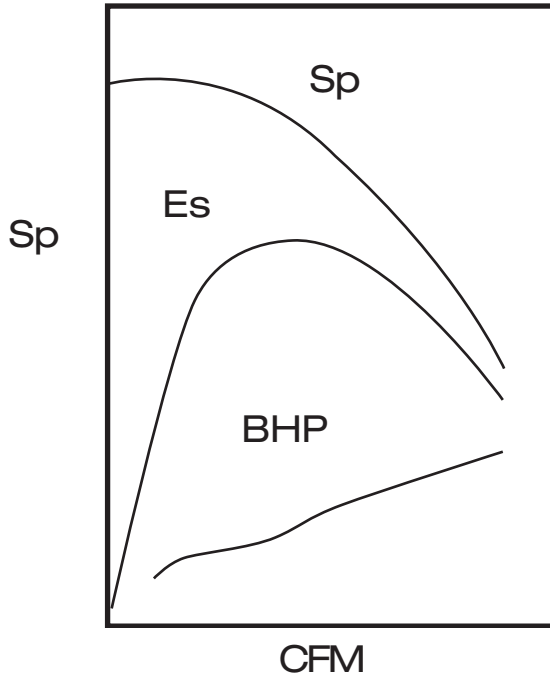
Markets

<i>Chemical</i>	<i>Plastics</i>
<i>Food Processing</i>	<i>Rubber</i>
<i>Knitting</i>	<i>Tobacco</i>
<i>Paper</i>	<i>Salt</i>
<i>Textile</i>	<i>Foundries</i>
<i>Pharmaceutical</i>	<i>Breweries</i>
<i>Steel</i>	<i>Candy</i>

Industrial
Air Technology Corp.

P.O. Box 2317, Gaylord, MI 49734
Phone: 989-705-1768 • Fax: 989-732-1641
www.indairtech.com

TROH & TROL High Pressure Industrial Blowers



BHP & Es

Performance Range

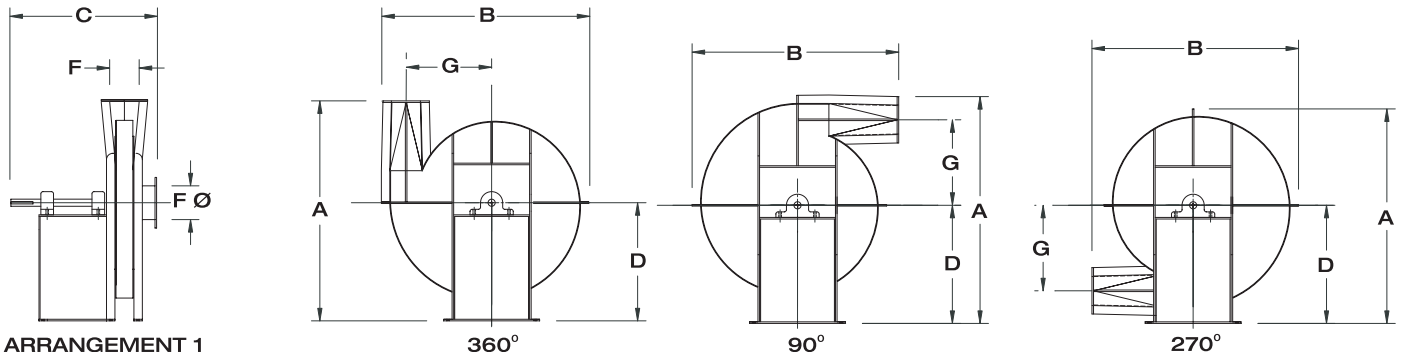
SIZE	TYPE TROL				TYPE TROH			
	CFM	Sp In Wg	CFM	Sp In Wg	CFM	Sp In Wg	CFM	Sp In Wg
20	500	31	1000	30	1000	29	2400	26
22	800	38	1300	35	1300	36	3200	31
24	1000	45	1700	41	1700	43	4100	36
26	1300	52	2100	48	2200	50	5100	42
28	1600	61	2600	55	2700	58	6300	48
30	2000	70	3200	62	3300	67	7700	55
32	2400	80	3800	71	4000	76	9300	62
34	2800	89	4600	79	4800	85	11000	70
36	3300	100	5400	88	5700	96	13000	78
38	4000	111	6300	98	6700	107	15200	86
40	4600	123	7300	108	7900	118	17600	95
42	4000	78	6400	69	6700	75	15400	26
44	4600	87	7300	75	7900	82	17600	28
46	5300	94	8300	82	9100	90	20200	31
48	4700	62	7300	54	8000	59	17600	33
50	5300	67	8300	58	9100	64	19900	36
52	5400	59	8400	52	9200	57	20200	38
54	6000	64	9400	55	10300	61	22500	42
56	6400	62	9900	53	10900	59	23700	45
58	7100	66	10900	57	12100	63	26300	48

Industrial
Air Technology Corp.

P.O. Box 2317, Gaylord, MI 49734
Phone: 989-705-1768 • Fax: 989-732-1641
www.indairtech.com

Dimensional Data Arrangement 4

Sizes 20 - 36 TROL & TROH



TYPE TROL															
SIZE	A			B			C	D			F Dia.	G	BARE FAN WEIGHT	MAX HP	SIZE
	90°	270°	36°	90°	270°	360°		90°	270°	360°					
20	41	43	40	39	39	40	27	19	25	21	6	16	240	10	20
22	44	47	44	43	43	43	31	21	27	22	6	17	290	15	22
24	48	50	47	46	46	47	34	22	29	24	8	19	370	25	24
26	51	54	51	50	50	50	37	24	31	26	8	20	450	40	26
28	54	56	54	53	53	53	38	25	32	27	8	2	590	50	28
30	57	61	58	57	57	57	39	26	35	29	10	23	730	75	30
32	61	64	62	60	60	60	43	28	37	31	10	25	800	100	32
34	66	68	65	64	64	65	48	30	39	32	12	26	870	125	34
36	68	71	68	68	68	67	52	31	40	34	12	28	1100	200	36

TYPE TROH															
SIZE	A			B			C	D			F Dia.	G	BARE FAN WEIGHT	MAX HP	SIZE
	90°	270°	36°	90°	270°	360°		90°	270°	360°					
20	41	43	41	40	40	40	31	19	25	21	8	15	280	20	20
22	44	46	44	43	43	43	35	21	27	22	8	17	340	30	22
24	48	50	48	47	47	47	37	22	29	24	10	18	440	50	24
26	52	53	51	50	50	50	39	24	31	26	10	20	530	75	26
28	54	56	55	54	54	53	44	25	32	27	10	21	690	100	28
30	58	61	58	57	57	58	49	26	35	29	12	23	860	150	30
32	61	63	62	61	61	60	53	28	37	31	12	24	940	200	32
34	66	67	65	64	64	64	58	30	39	32	14	25	1020	250	34
36	68	70	69	68	68	67	62	31	40	34	14	27	1290	300	36

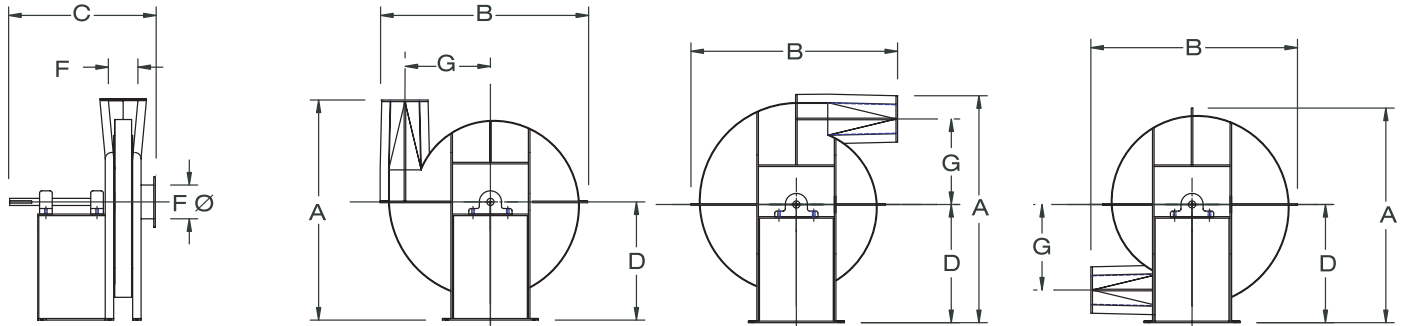
1. Dimensions have been rounded up to the nearest 1"
2. All dimensions shown on this and other pages are for general information only and should not be used for precise construction/ installation purposes. Only prints marked certified should be used for this purpose. All fans are shown in clockwise rotation (as viewed from side opposite fan inlet) and are viewed from the drive side of fan. Counter clockwise fans are dimensionally equal but viewed in a mirror image.
3. Due to continuous product improvement at Industrial Air Tech. Corp., dimensions are subject to change. For more complete dimensional information, refer to the applicable Industrial Air Tech. Corp. submittal drawing.

**Industrial
Air Technology Corp.**

P.O. Box 2317, Gaylord, MI 49734
 Phone: 989-705-1768 • Fax: 989-732-1641
 www.indairtech.com

Dimensional Data Arrangement 1

Sizes 20 - 58 TROL



ARRANGEMENT 1

360°

90°

270°

TYPE TROL															
SIZE	A			B			C	D			F Dia.	G	BARE FAN WEIGHT	MAX RPM	SIZE
	90°	270°	360°	90°	270°	360°		90°	270°	360°					
20	41	43	40	39	39	40	26	19	25	21	6	16	290	3600	20
22	44	47	44	43	43	43	28	21	27	22	6	17	360	3600	22
24	48	50	47	46	46	47	31	22	29	24	8	19	460	3600	24
26	51	54	51	50	50	50	33	24	31	26	8	20	550	3600	26
28	54	56	54	53	53	53	35	25	32	27	8	2	720	3600	28
30	57	61	58	57	57	57	38	26	35	29	10	23	900	3400	30
32	61	64	62	60	60	60	40	28	37	31	10	25	990	3400	32
34	66	68	65	64	64	65	42	30	39	32	12	26	1070	3400	34
36	68	71	68	68	68	67	45	31	40	34	12	28	1350	3200	36
38	71	75	73	72	72	71	47	33	42	36	13	29	1500	3000	38
40	74	78	75	75	75	74	49	34	43	37	13	30	1670	2700	40
42	78	81	79	79	79	78	52	36	45	39	14	32	1820	2700	42
44	81	84	83	82	82	81	54	38	47	41	14	33	2010	2700	44
46	84	88	86	86	86	84	56	39	49	42	15	35	2210	2700	46
48	87	91	90	89	89	87	59	41	50	44	15	36	2410	2100	48
50	91	94	93	93	93	91	61	42	52	45	16	38	2570	2100	50
52	94	98	96	96	96	94	63	44	54	47	17	39	2720	1900	52
54	98	101	100	100	100	98	66	45	56	49	18	41	2880	1900	54
56	101	104	103	103	103	101	68	47	58	50	18	42	3290	1800	56
58	104	108	107	107	107	104	70	48	60	52	19	44	3710	1800	58

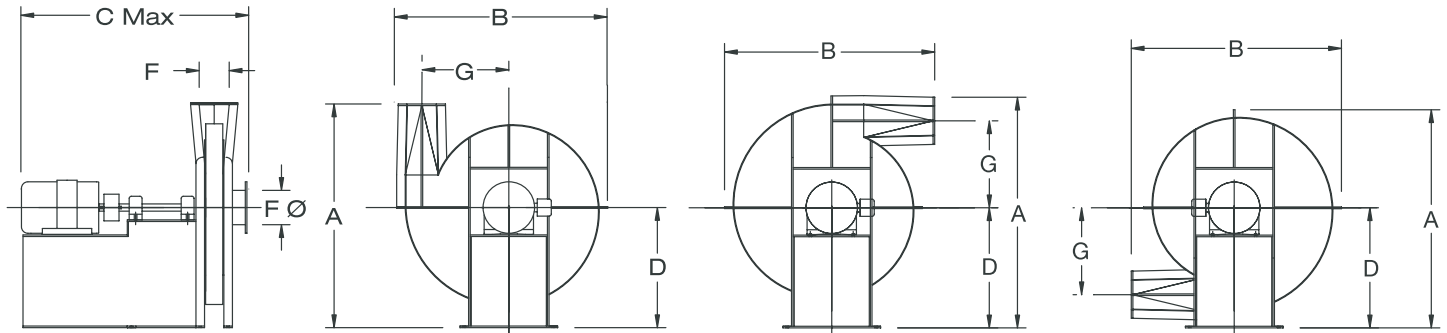
1. Dimensions have been rounded up to the nearest 1"
2. All dimensions shown on this and other pages are for general information only and should not be used for precise construction/ installation purposes. Only prints marked certified should be used for this purpose. All fans are shown in clockwise rotation (as viewed from side opposite fan inlet) and are viewed from the drive side of fan. Counter clockwise fans are dimensionally equal but viewed in a mirror image.
3. Due to continuous product improvement at Industrial Air Tech. Corp., dimensions are subject to change. For more complete dimensional information, refer to the applicable Industrial Air Tech. Corp. submittal drawing.

**Industrial
Air Technology Corp.**

P.O. Box 2317, Gaylord, MI 49734
 Phone: 989-705-1768 • Fax: 989-732-1641
 www.indairtech.com

Dimensional Data Arrangement 8

Sizes 20 - 58 TROL



ARRANGEMENT 8

360°

90°

270°

TYPE TROL																
SIZE	A			B			C	D			F Dia.	G	BARE FAN WEIGHT	MAX HP	MAX RPM	SIZE
	90°	270°	360°	90°	270°	360°		90°	270°	360°						
20	41	43	40	39	39	40	47	19	25	21	6	16	370	10	3600	20
22	44	47	44	43	43	43	53	21	27	22	6	17	470	15	3600	22
24	48	50	47	46	46	47	58	22	29	24	8	19	600	25	3600	24
26	51	54	51	50	50	50	62	24	31	26	8	20	720	40	3600	26
28	54	56	54	53	53	53	65	25	32	27	8	2	940	50	3600	28
30	57	61	58	57	57	57	68	26	35	29	10	23	1170	75	3600	30
32	61	64	62	60	60	60	75	28	37	31	10	25	1280	100	3600	32
34	66	68	65	64	64	65	82	30	39	32	12	26	1390	125	3600	34
36	68	71	68	68	68	67	88	31	40	34	12	28	1760	200	3600	36
38	71	75	73	72	72	71	90	33	42	36	13	29	1960	200	3600	38
40	74	78	75	75	75	74	97	34	43	37	13	30	2170	250	3600	40
42	78	81	79	79	79	78	80	36	45	39	14	32	2360	40	1800	42
44	81	84	83	82	82	81	82	38	47	41	14	33	2620	50	1800	44
46	84	88	86	86	86	84	86	39	49	42	15	35	2870	60	1800	46
48	87	91	90	89	89	87	88	41	50	44	15	36	3130	75	1800	48
50	91	94	93	93	93	91	96	42	52	45	16	38	3340	100	1800	50
52	94	98	96	96	96	94	104	44	54	47	17	39	3540	125	1800	52
54	98	101	100	100	100	98	106	45	56	49	18	41	3750	150	1800	54
56	101	104	103	103	103	101	111	47	58	50	18	42	4280	200	1800	56
58	104	108	107	107	107	104	113	48	60	52	19	44	4820	200	1800	58

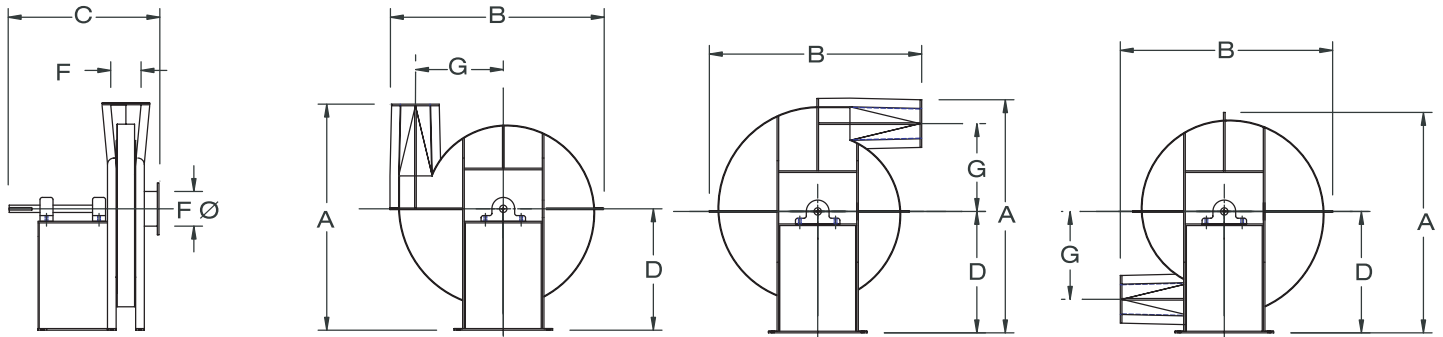
1. Dimensions have been rounded up to the nearest 1"
2. All dimensions shown on this and other pages are for general information only and should not be used for precise construction/ installation purposes. Only prints marked certified should be used for this purpose. All fans are shown in clockwise rotation (as viewed from side opposite fan inlet) and are viewed from the drive side of fan. Counter clockwise fans are dimensionally equal but viewed in a mirror image.
3. Due to continuous product improvement at Industrial Air Tech. Corp., dimensions are subject to change. For more complete dimensional information, refer to the applicable Industrial Air Tech. Corp. submittal drawing.

**Industrial
Air Technology Corp.**

P.O. Box 2317, Gaylord, MI 49734
 Phone: 989-705-1768 • Fax: 989-732-1641
 www.indairtech.com

Dimensional Data Arrangement 1

Sizes 20 - 58 TROH



ARANGEMENT 1

360°

90°

270°

TYPE TROH															
SIZE	A			B			C	D			F Dia.	G	BARE FAN WEIGHT	MAX RPM	SIZE
	90°	270°	360°	90°	270°	360°		90°	270°	360°					
20	41	43	41	40	40	40	28	19	25	21	8	15	340	3600	20
22	44	46	44	43	43	43	30	21	27	22	8	17	420	3600	22
24	48	50	48	47	47	47	33	22	29	24	10	18	540	3600	24
26	52	53	51	50	50	50	35	24	31	26	10	20	650	3600	26
28	54	56	55	54	54	53	38	25	32	27	10	21	850	3600	28
30	58	61	58	57	57	58	40	26	35	29	12	23	1060	3400	30
32	61	63	62	61	61	60	43	28	37	31	12	24	1160	3400	32
34	66	67	65	64	64	64	45	30	39	32	14	25	1260	3400	34
36	68	70	69	68	68	67	48	31	40	34	14	27	1590	3200	36
38	72	74	72	72	72	71	50	33	42	36	15	28	1770	3000	38
40	74	77	76	76	76	74	53	34	43	37	15	30	1960	2700	40
42	79	81	79	79	79	78	55	36	45	39	16	31	2140	2700	42
44	82	84	83	83	83	81	57	38	47	41	17	33	2370	2700	44
46	85	87	86	86	86	84	60	39	49	42	18	34	2600	2700	46
48	88	90	90	90	90	87	62	41	50	44	18	35	2830	2100	48
50	91	94	93	93	93	91	65	42	52	45	19	37	3020	2100	50
52	95	97	97	97	97	94	67	44	54	47	20	38	3200	1900	52
54	98	101	100	100	100	98	70	45	56	49	21	40	3390	1900	54
56	102	104	104	104	104	101	72	47	58	50	22	41	3870	1800	56
58	105	107	107	107	107	104	75	49	60	52	22	43	4360	1800	58

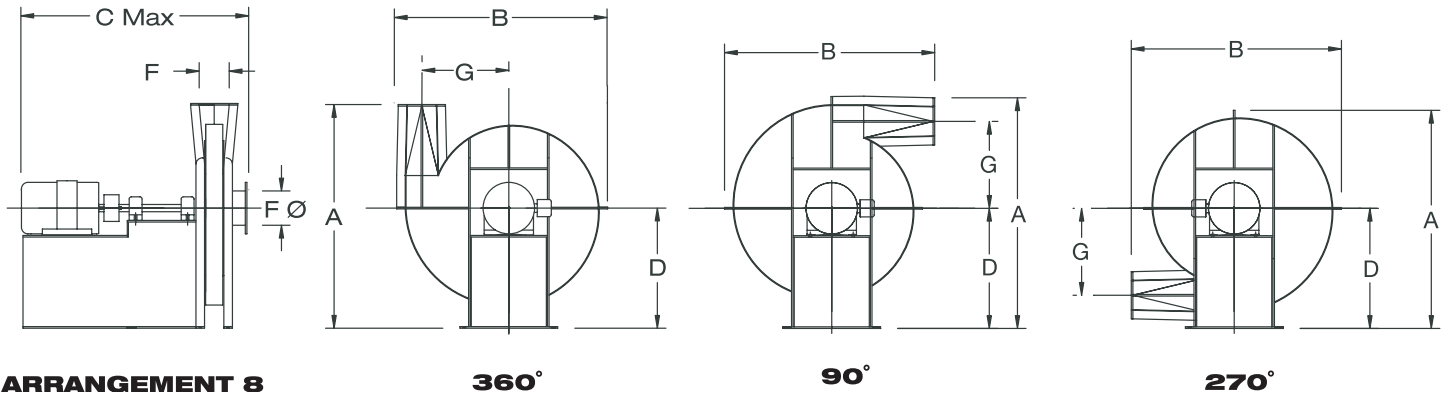
1. Dimensions have been rounded up to the nearest 1"
2. All dimensions shown on this and other pages are for general information only and should not be used for precise construction/ installation purposes. Only prints marked certified should be used for this purpose. All fans are shown in clockwise rotation (as viewed from side opposite fan inlet) and are viewed from the drive side of fan. Counter clockwise fans are dimensionally equal but viewed in a mirror image.
3. Due to continuous product improvement at Industrial Air Tech. Corp., dimensions are subject to change. For more complete dimensional information, refer to the applicable Industrial Air Tech. Corp. submittal drawing.

**Industrial
Air Technology Corp.**

P.O. Box 2317, Gaylord, MI 49734
 Phone: 989-705-1768 • Fax: 989-732-1641
 www.indairtech.com

Dimensional Data Arrangement 8

Sizes 20 - 58 TROH



TYPE TROH																
SIZE	A			B			C	D			F Dia.	G	BARE FAN WEIGHT	MAX HP	MAX RPM	SIZE
	90°	270°	360°	90°	270°	360°		90°	270°	360°						
20	41	43	41	40	40	40	62	19	25	21	8	15	370	20	3600	20
22	44	46	44	43	43	43	68	21	27	22	8	17	470	30	3600	22
24	48	50	48	47	47	47	72	22	29	24	10	18	600	50	3600	24
26	52	53	51	50	50	50	76	24	31	26	10	20	850	75	3600	26
28	54	56	55	54	54	53	83	25	32	27	10	21	940	100	3600	28
30	58	61	58	57	57	58	91	26	35	29	12	23	1170	150	3600	30
32	61	63	62	61	61	60	97	28	37	31	12	24	1280	200	3600	32
34	66	67	65	64	64	64	104	30	39	32	14	25	1390	250	3600	34
36	68	70	69	68	68	67	110	31	40	34	14	27	1760	300	3600	36
38	72	74	72	72	72	71	113	33	42	36	15	28	1960	400	3600	38
40	74	77	76	76	76	74	120	34	43	37	15	30	2170	500	3600	40
42	78	81	79	79	79	78	104	36	45	39	16	31	2360	100	1800	42
44	82	84	83	83	83	81	107	38	47	41	17	33	2620	100	1800	44
46	85	87	86	86	86	84	115	39	49	42	18	34	2870	125	1800	46
48	88	90	90	90	90	87	117	41	50	44	18	35	3130	150	1800	48
50	91	94	93	93	93	91	124	42	52	45	19	37	3340	200	1800	50
52	95	97	97	97	97	94	131	44	54	47	20	38	3540	250	1800	52
54	98	101	100	100	100	98	134	45	56	49	21	40	3750	300	1800	54
56	102	104	104	104	104	101	136	47	58	50	22	41	4280	300	1800	56
58	105	107	107	107	107	104	141	48	60	52	22	43	4820	400	1800	58

1. Dimensions have been rounded up to the nearest 1"
2. All dimensions shown on this and other pages are for general information only and should not be used for precise construction/ installation purposes. Only prints marked certified should be used for this purpose. All fans are shown in clockwise rotation (as viewed from side opposite fan inlet) and are viewed from the drive side of fan. Counter clockwise fans are dimensionally equal but viewed in a mirror image.
3. Due to continuous product improvement at Industrial Air Tech. Corp., dimensions are subject to change. For more complete dimensional information, refer to the applicable Industrial Air Tech. Corp. submittal drawing.

**Industrial
Air Technology Corp.**

P.O. Box 2317, Gaylord, MI 49734
 Phone: 989-705-1768 • Fax: 989-732-1641
 www.indairtech.com